

THE AWARD WINNING
TEMPEST TORCH™

Gas Lamp by Travis Industries



made in the U.S.A.

U.S. and Foreign Patents Pending



TRAVIS INDUSTRIES



THE AWARD WINNING
TEMPEST TORCH™
 Gas Lamps By Travis Industries



Breaking the barriers of standard torch design, Travis Industries proudly unveils the Tempest Torch™ - a dramatic outdoor gas lamp. The patent pending Tempest Torch creates a natural venturi without the use of electricity or a fan. This natural venturi effect causes the flame to spiral and dance within the curved ceramic glass walls.

Created as an outdoor furnishing for a wide-array of exterior settings and applications, the display possibilities are nearly endless: outdoor living spaces, retail or business storefronts, front walkway pillars, mounted onto movable bases or featured on an exterior wall by an entry.

The Tempest Torch was the Winner for Best Outdoor Room Furnishing and Winner of BEST OF SHOW for all Outdoor products at the 2007 Hearth, Patio and BBQ Expo. The Tempest Torch is manufactured by Travis Industries - North America's Largest Privately Owned Manufacturer of Hearth Products.

Features

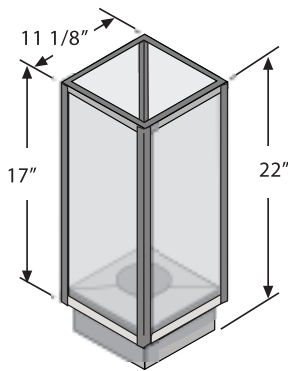
- BTU Input Max: 20,500 (NG & LP)
- Neoceramic glass
- Glass panels are easy to remove for cleaning
- Stainless steel construction
- Automatic gas shut off if flame goes out
- Easy access control panel
- Piezo igniter for easy lighting
- On/Off control
- US and Foreign Patents Pending
- Natural Gas or Propane models

Options

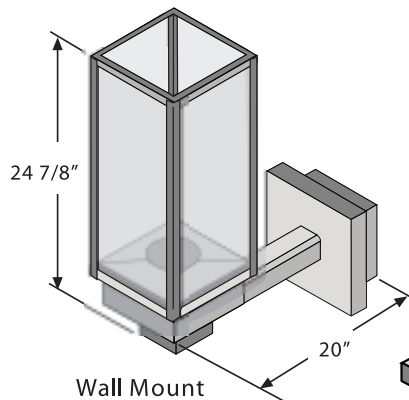
The Tempest Torch comes as a standard base unit that includes gas valve, burner, igniter, glass panels and frame.

Customers have the option to add:

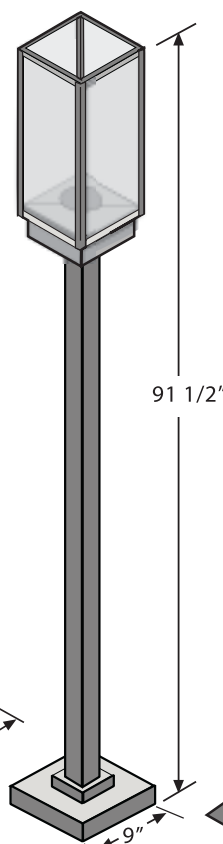
- Wall Mount Base
- Tall Post Base for application on wood deck or concrete base
- Short Post Base for entry columns
- Pedestal Patio Base (Movable)



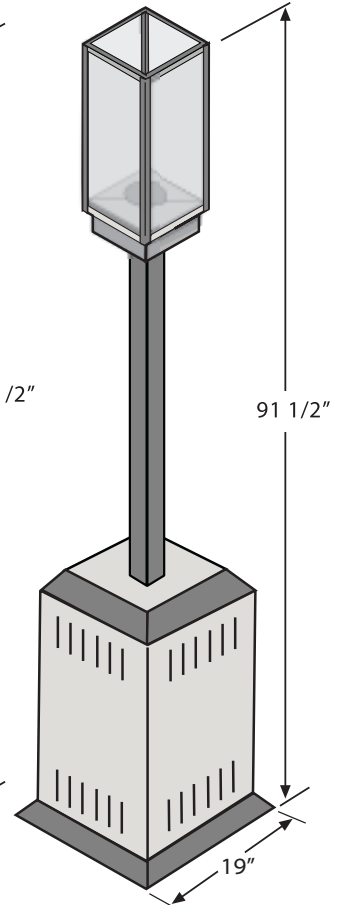
Basic Torch



Wall Mount



Tall Post Base



LP Patio Base



TRAVIS INDUSTRIES
 HOUSE OF FIRE

4800 Harbour Pointe Blvd SW
 Mukilteo, WA 98275
 1 (800) 654-1177
 www.tempesttorch.com