


# Tempest™ Portable Torch

## Owner's Manual

- Gas Fired Torch
- Natural Gas (sku 94900763)
- Propane (sku 94900773)

**WARNING:** For Outdoor Use Only

Tested and Listed by 

OMNI-Test Laboratories, Inc.  
Portland, Oregon  
Report # 028-F-83-5

**WARNING:** If the information in this manual is not followed exactly, a fire or explosion may result causing property damage, personal injury or loss of life.

- Do not store or use gasoline or other flammable vapors and liquids in the vicinity of this or any other appliance.
- An LP cylinder not connected for use shall not be stored in the vicinity of this or any other appliance.
- Installation and service must be performed by a qualified installer, service agency or the gas supplier

#### WHAT TO DO IF YOU SMELL GAS

- Do not try to light any appliance.
- Do not touch any electrical switch; do not use any phone in your building.
- Immediately call gas supplier from a neighbor's phone. Follow the gas supplier's instructions.
- If you cannot reach your gas supplier, call the fire department.

**WARNING:** Improper installation, adjustment, alteration, service or maintenance can cause injury or property damage. Read this manual thoroughly before installing or servicing this equipment. For assistance or additional information consult a qualified installer, service agency, or the gas supplier.

**Installer:** After installation give this manual to the homeowner and explain operation of this appliance.



\$10.00 © Copyright 2008, T.I. Part # 100-01204\_000




**TRAVIS INDUSTRIES  
HOUSE OF FIRE**

## Overview

This manual details the installation, operation, and routine maintenance for the Tempest torch.

## Listing Details

This torch was tested to: Applicable portions of ANSI Z21.42a-2004 "Illuminating Appliances", CAN 1-2.15, CSA 4.96 U.S. (3rd Ed) "Outdoor Gas Fireplace", and AGA 8-96, "Requirement for Gas-Fired Decorative Illuminating Appliances for Outdoor Installation." A copy of the safety label is shown below.

 <b>TRAVIS INDUSTRIES</b> <b>HOUSE OF FIRE</b> 4800 Harbour Pointe Blvd. SW Mukilteo, WA 98275 tempesttorch.com	<b>Tempest Torch</b> Report Number: 028-F-83-5	Tested & Listed By  OMNI-Test Laboratories, Inc.	Portland Oregon USA	<b>Serial Number</b> 	<b>Pull Here For Label</b>																
	<u>Min. Clearances to Combustible Materials*</u> <ul style="list-style-type: none"> <li>• 26" from top of glass frame</li> <li>• 8" from side of glass</li> <li>• 2.5" from bottom of glass</li> </ul> * See manual for further details	<u>Gas Rating</u> <table border="0"> <tr> <td>Input Rating (Btu/h)</td> <td><b>NG</b></td> <td><b>LP</b></td> </tr> <tr> <td>Orifice Size (DMS)</td> <td>20,000</td> <td>20,000</td> </tr> <tr> <td>Burner Ports</td> <td>#50</td> <td>#55</td> </tr> <tr> <td>Manifold Pressure</td> <td>25 Holes</td> <td>49 Holes</td> </tr> <tr> <td>Max. Inlet Pressure</td> <td>7" wc</td> <td>11" wc</td> </tr> <tr> <td></td> <td>7" wc</td> <td>11" wc</td> </tr> </table>	Input Rating (Btu/h)	<b>NG</b>		<b>LP</b>	Orifice Size (DMS)	20,000	20,000	Burner Ports	#50	#55	Manifold Pressure	25 Holes	49 Holes	Max. Inlet Pressure	7" wc	11" wc		7" wc	11" wc
Input Rating (Btu/h)	<b>NG</b>	<b>LP</b>																			
Orifice Size (DMS)	20,000	20,000																			
Burner Ports	#50	#55																			
Manifold Pressure	25 Holes	49 Holes																			
Max. Inlet Pressure	7" wc	11" wc																			
	7" wc	11" wc																			

Tested to: Applicable portions of ANSI Z21.42a-2004 "Illuminating Appliances", CAN 1-2.15, CSA 4.96 U.S. (3rd Ed) "Outdoor Gas Fireplace", and AGA 8-96, "Requirement for Gas-Fired Decorative Illuminating Appliances for Outdoor Installation".

For outdoor installation only. If stored indoors, detach and leave cylinder outdoors (if applicable). The gas supply must be turned off at the LP-gas supply cylinder when this appliance is not in use (if applicable).

**CAUTION:** When using an LP cylinder, the gas pressure regulator provided with the post and base kit must be used. The regulator is set for an outlet pressure of 11" wc for LP.

**FOR YOUR SAFETY:** Do not store or use gasoline or other flammable vapors and liquids in the vicinity of this or any other appliance.

**WARNING:** Improper installation, adjustment, alteration, service or maintenance can cause injury or property damage. Refer to the owner's information manual provided with this appliance. For assistance or additional information consult a qualified installer, service agency or the gas supplier.

IGN 685

## Important Registration and Service Information

No other Tempest torch has the same serial number as yours. The serial number is on the safety label attached by a chain near the control panel. This serial number will be needed in case you require service of any type. Mail your warranty card or visit [traviswarranty.com](http://traviswarranty.com) to register your Tempest torch. If any service issues may arise, contact your dealer for details.

## **Introduction**

Overview .....	2
Listing Details.....	2
Important Registration and Service Information ..	2

## **Safety Precautions**

Safety Precautions .....	4
--------------------------	---

## **Features & Specifications**

Features .....	7
Installation Options.....	7
Specifications .....	7
Dimensions .....	7

## **Installation**

Installation Warnings:.....	8
Packing List .....	8

Post and Base Assembly .....	9
Post Mount and Control Cover Installation .....	11
Torch Assembly .....	12
Optional Rain Cap.....	13
Placement Requirements .....	14
Do Not Locate the Torch:.....	14
<i>Clearances:</i> .....	14
LP and NG Configuration .....	15
Fuel Requirements – Natural Gas.....	15
Fuel Requirements – LP (Propane).....	15

## **Operation**

Before You Begin .....	16
Operating Instructions .....	16
Lighting the Torch – DRY WEATHER .....	16
Lighting the Torch – WET WEATHER.....	17
Turning the Torch Off .....	17
LP (Propane) Portable Cylinder Requirements ...	17
LP (Propane) Portable Cylinder Installation .....	18

## **Maintenance**

Maintaining Your Torch .....	19
Winterizing The Torch. ....	19
Checking for Leaks.....	19
Replacement Parts.....	20
Troubleshooting Table.....	21

## **Warranty**

Warranty.....	22
---------------	----

## **Index**

Index .....	24
-------------	----

- ! **This appliance must be installed in accordance with all local codes, if any; if not, follow ANSI Z223.1.**
- ! **This appliance must only be used outdoors in a well-ventilated area. It may not be used in a building, garage, or other enclosed space.**
  - This appliance is not for use with solid fuel.
  - The torch must be kept clean and free of leaves and debris to insure safe operation.
  - Any hose or gas-supply line that is damaged or shows evidence of excessive abrasion or wear must be replaced prior to use of the torch.
  - If using a gas supply line to the torch, make sure it is properly located away from any walkway or in an area where it may be subject to accidental damage
  - Educate all children and adults of the dangers of the torch. Young children should be supervised when they are in the same area as the torch. Do not let children play with the torch.
  - Do not place clothing or other flammable items on or near the torch.
  - Any screen or guard removed for servicing must be replaced prior to operating the torch.
  - This unit must be installed and repaired by a qualified installer to prevent the possibility of an explosion. Your dealer will know the requirements in your area and can inform you of those people considered qualified. The torch should be inspected before use and at least annually by a qualified service person. More frequent cleaning may be required due to excessive debris from leaves, dirt, insects, etc.
  - Do not operate if any portion of the controls were submerged in water or if any corrosion occurs.
  - The instructions in this manual must be strictly adhered to. Do not use makeshift methods or compromise in the installation. Improper installation will void the warranty and safety listing.
  - This appliance is approved for either natural gas (NG) or propane (LP). Burning the incorrect fuel will void the warranty and safety listing and may cause an extreme safety hazard. Direct questions about the type of fuel used to your dealer. A label is placed on the control panel to show which fuel the torch is designed for (in addition, NG units have 25 burner holes, LP units have 49 burner holes).
  - Contact your local building officials to obtain a permit and information on any installation restrictions or inspection requirements in your area.
  - If the flame becomes sooty, dark orange in color, or extremely tall, do not operate the torch. Call your dealer and arrange for proper servicing.
  - Do not operate the torch if it is not operating properly in any fashion or if you are uncertain. Call your dealer for a full explanation of your torch and what to expect.
  - Do not store or use gasoline or other flammable liquids in the vicinity of this torch.
  - Never remove, replace, modify or substitute any part of the torch unless instructions are given in this manual for routine maintenance and cleaning. A trained technician must do all other work. Do not modify or replace orifices.
  - Allow the torch to cool before carrying out any maintenance or cleaning.
  - Operate the torch according to the instructions included in this manual.
  - If the burner does not start correctly turn the gas off at the gas control valve and call your dealer for service.
  - Do not use this appliance to cook food.
  - Instruct everyone in the house how to shut gas off to the torch and at the gas main shutoff valve. The gas main shutoff valve is usually next to the gas meter or propane tank and requires a wrench to shut off.
  - Do not operate the torch during a lightning storm or a possible lightning storm.
  - Do not operate the torch during high wind conditions.
  - Do not install in or on recreational vehicles and/or boats.
  - Do not throw this manual away. This manual has important operating and maintenance instructions that you will need at a later time. Always follow the instructions in this manual.
  - **Travis Industries, Inc. grants no warranty, implied or stated, for the installation or maintenance of your torch, and assumes no responsibility of any consequential damage(s).**

## Portable Torch Warnings:

- This torch is for outdoor use only, and shall not be used in a building, garage, or any other enclosed area.
- Always maintain at least 26" clearance (top), and 8" clearance (side) from combustible materials.

## LP gas Characteristics:

- a. LP gas is flammable and hazardous if handled improperly. Become aware of the characteristics before using any LP gas product.
- b. LP gas is explosive under pressure, heavier than air, and settles and pools in low areas.
- c. LP gas in its natural state has no odor. For your safety, an odorant is added that smells like rotten cabbage.
- d. Contact with LP gas can cause freeze burns to skin.

## LP gas tank needed to operate.

- Only tanks marked "propane" may be used.
- The LP gas supply tank must be constructed and marked in accordance with the *Specifications for LP gas Cylinders* of the U.S. Department of Transportation (DOT) or the National Standard of Canada, *CAN/CSAB339, Cylinders, Spheres and Tubes for the Transportation of Dangerous Goods; and Commission*.
- LP gas tank must be arranged for vapor withdrawal.
- The LP gas tank must have a listed overfilling prevention device (OPD).
- Only use 20-pound cylinders equipped with a cylinder connection device compatible with the connection for outdoor cooking appliances.
- The LP gas tank must have a tank collar to protect the tank valve.
- Never use an LP gas tank with a damaged body, valve, collar, or footing.
- Dented or rusted LP gas tanks may be hazardous and should be checked by your LP gas supplier prior to use.
- The LP gas tank should not be dropped or handled roughly.
- Tanks must be stored outdoors out of the reach of children and must not be stored in a building, garage, or any other enclosed area. Your tank must never be stored where temperatures can reach over 125°F.
- Never keep a filled LP gas tank in a hot car or car trunk. Heat will cause the gas pressure to increase, which may open the relief valve and allow gas to escape.
- Do not store a spare LP gas tank under or near this appliance.
- Never fill the tank beyond 80 percent full.
- Never attempt to attach this torch to the self-contained LP gas system of a camper trailer, motor home, or house.
- The use of alcohol, or prescription or non-prescription drugs may impair the consumer's ability to properly assemble or safely operate the appliance.
- Your torch has been checked at all factory connections for leaks.
- Recheck all connections, as movement in shipping can loosen connections.
- Check for leaks even if your unit was assembled for you by someone else.
- Do not operate if gas leak is present. Gas leaks may cause a fire or explosion.
- You must follow all leak-checking procedures before operating. To prevent fire or explosion hazard when testing for a leak:
  - a. Always perform leak test before lighting the torch and each time the tank is connected for use.
  - b. No smoking. Do not use or permit sources of ignition in the area while conducting a leak test.
  - c. Conduct the leak test outdoors in a well-ventilated area.
  - d. Do not use matches, lighters, or a flame to check for leaks.
  - e. Do not use torch until any and all leaks are corrected.
- If you are unable to stop a leak, disconnect the LP gas supply. Call a gas appliance serviceman or your local LP gas supplier.
- Do not store or use gasoline or other flammable liquids or vapors within 25 feet (7.62 m) of this appliance.
- Do not use in an explosive atmosphere. Keep torch area clear and free from combustible materials, gasoline and other flammable vapors and liquids.
- Keep all combustible items and surfaces away from the torch at all times. DO NOT use this torch or any gas product under any overhead or near any unprotected combustible constructions.
- Combustion of propane creates carbon monoxide, which, when used in enclosed areas, can kill you.
- It is essential to keep the torch's valve compartment, burners, and circulating air passages clean. Inspect torch before each use.
- Installation and repair should be done by a qualified service person.
- Do not alter torch in any manner.
- Do not use the torch unless it is COMPLETELY assembled and all parts are securely fastened and tightened.

# Safety Precautions

- This torch should be thoroughly inspected before each use. Clean and inspect the hose before each use of the appliance. If there is evidence of abrasion, wear, cuts, or leaks, the hose must be replaced prior to the appliance being put into operation.
- Use only the regulator and hose assembly provided. The replacement regulator and hose assembly shall be that specified by the manufacturer.
- Inspect torch before each use. If a damaged part is detected, do not operate until an original equipment replacement part has been properly installed.
- Use only Travis Industries, Inc. factory authorized parts. The use of any part that is not factory authorized can be dangerous. This will also void your warranty.
- The torch, glass, and cap are extremely hot to the touch during operation. Never touch these areas while the torch is operating. Wait for the unit to cool down (approximately 45 minutes) after use.
- Do not install or use in or on boats or recreational vehicles.
- Unit will operate at reduced efficiency below 40°F (5°C).
- Do not leave a lit torch unattended, especially keep children and pets away from torch at all times.
- Always use extreme caution when near torch. Alert both children and adults to the hazards of high temperatures, especially to avoid burns or clothing catching fire.
- Do not attempt to move torch when in use. Allow the torch to cool before moving or storing.
- Storage of torch indoors is permissible only if the tank is disconnected, removed from the torch and properly stored outdoors.
- Do not attempt to disconnect the gas regulator from the tank or any gas fitting while the torch is in use.
- Always place your torch on a hard, level surface.
- Use extreme caution on wooden decks.
- Move gas hoses as far away as possible from hot surfaces.
- Keep all electrical cords away from a hot torch.
- Do not use torch for indoor cooking or heating. TOXIC fumes can accumulate and cause asphyxiation.
- Keep sprinklers and other water sources away from burner and controls.
- Do not hang clothing or other flammable materials either on or near torch.
- Always allow torch to cool before attempting service.
- Any guard or other protective device removed for servicing the torch must be replaced prior to operating the torch.
- After a period of storage and/or nonuse, check for leaks, burner obstructions and inspect for any abrasion, wear, cuts to the hose.
- If at any time you are unable to light burner and smell gas, wait 5 minutes to allow gas to dissipate before attempting to light torch.
- Failure to not wait 5 minutes to allow the gas to clear if the torch does not light, may result in an explosive flame-up.
- Be careful when attempting to manually ignite this torch. Holding in the control knob for more than 10 seconds before igniting the gas will cause a ball of flame upon ignition.
- Avoid inhaling fumes emitted from the torch's first use. Smoke and odor from the burning of oils used in manufacturing will appear. Both smoke and odor will dissipate after approximately 30 minutes. The torch should NOT produce thick black smoke.
- If torch is not in use, the gas must be turned off at the supply tank.
- Do not use this appliance without reading the "Operation" section in this manual.
- Deaths, serious injury or damage to property may occur if the above is not followed exactly.

## Features:

- Maximum 20,000 BTU Input
- 24 Hour Operation on One 20 lb. / 5 gallon tank (9 kilograms / 18.9 liters) on High
- Optional Rain Cap
- Tempered Glass (easy to remove and clean)
- Stainless Steel Construction
- Automatic Gas Shutoff Valve for Safety
- Rotary Piezo Igniter for Easy Lighting
- Wet Weather Lighting Port for Positive Ignition

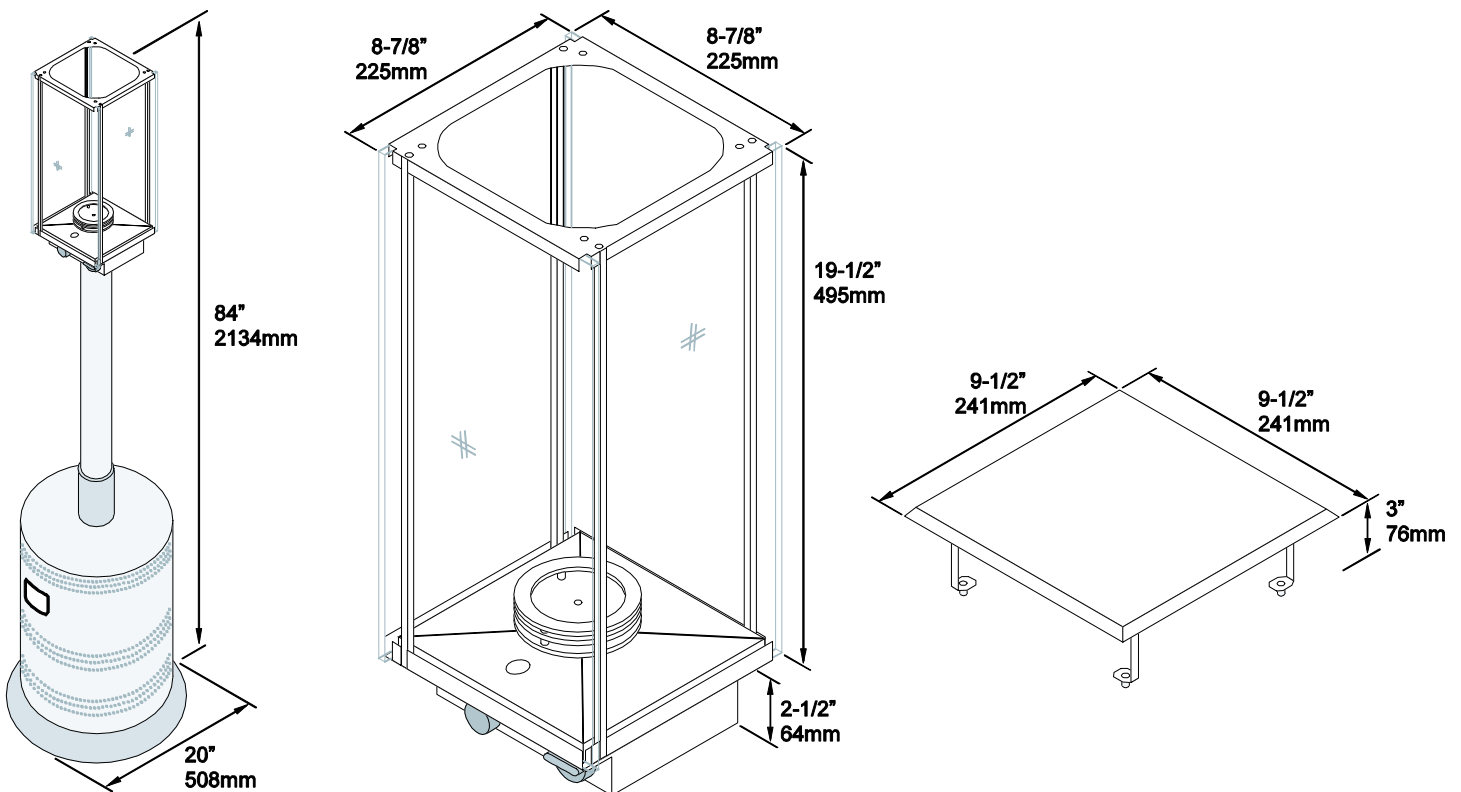
## Installation Options:

- Outdoor Installation Only
- NG Version  
6' (1.8M) flexible gas line (measured from base of torch)
- LP Version  
Uses portable LP cylinder

## Specifications:

	NG	LP
Input Rating High - Low	20,000 – 14,000 Btuh	20,000 – 17,500 Btuh,
Orifice Size (DMS)	#50	#55
Burner Ports	25 Holes	49 Holes
Manifold Pressure	7" wc	11" wc
Max. Inlet Pressure	7" wc	11" wc

## Dimensions:



**NOTE:** All Clearances are measured from the glass (and glass frame).

## Installation Warnings:

- ! This appliance is designed for outdoor use only, in well-ventilated areas.
- ! Failure to follow all of the requirements may result in property damage, bodily injury, or even death.
- ! This appliance is designed to operate on natural gas, or propane (LP).
- ! The requirements listed below are divided into sections. All requirements must be met simultaneously.

## Packing List

### Owner's Pack

- Manual
- 5/32" Hex Wrench
- NG Only: 12' Gas Hose, Coupler, Fitting (d)
- LP Only: Regulator, Gas Line, Fitting (f)
- (4) 1/4-20 x 1/2" Hex Head Screws

### Post and Base Components

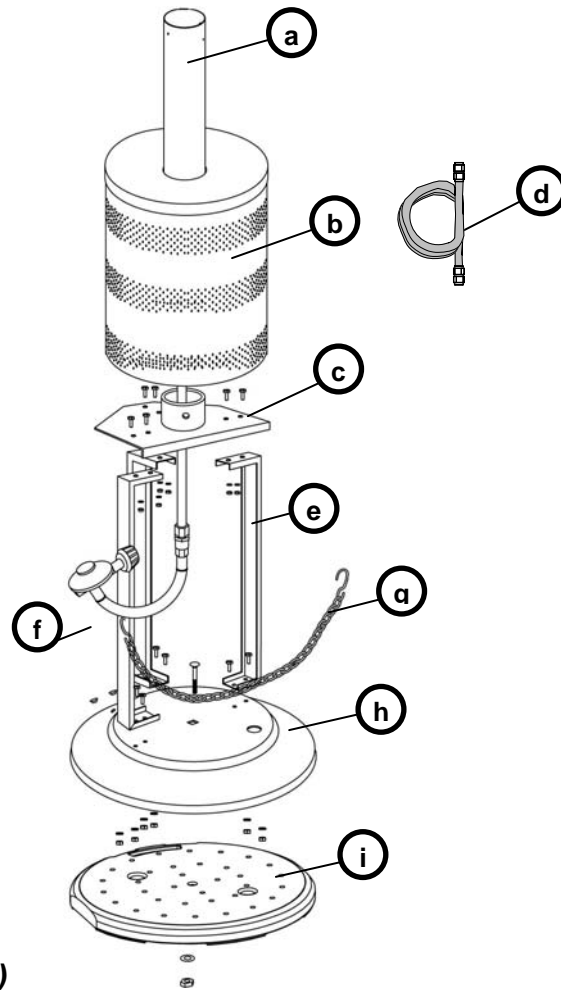
- Post (a)
- Shroud (b)
- Base Platform (c) (with set screws)
- (3) Leg Brackets (e)
- Base (h)
- Weight Plate (i)

### Post and Base Hardware (shipped inside poly-styrene packing)

- Tank Retention Chain (a)
- (12) 1/4-20 3/4" Bolts
- (12) 1/4-20 Nuts
- (12) 1/4" Lock Washers
- 3/8-16 3-3/4" Bolt
- 3/8-16 Nut
- 3/8" Lock Washer
- 1/8" Hex Wrench

### Torch Head Components (see pages 11-13)

- Main Assembly
- Burner Top
- (4) Support Bars (w screws)
- Top Plate
- Rain Cap
- Glass Kit (4 pieces)



## Post and Base Assembly

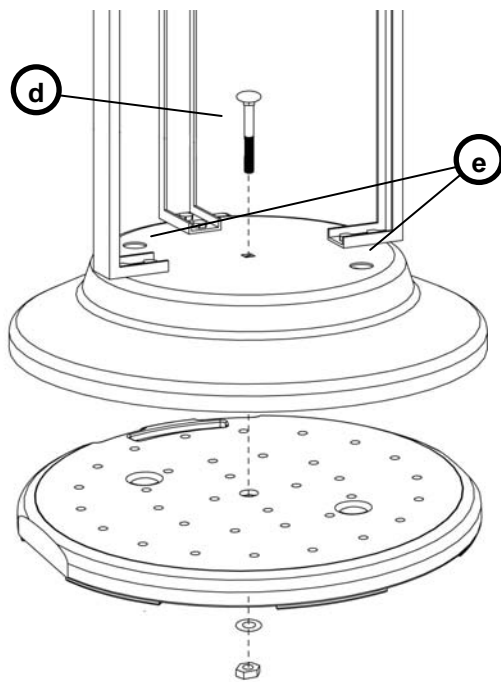
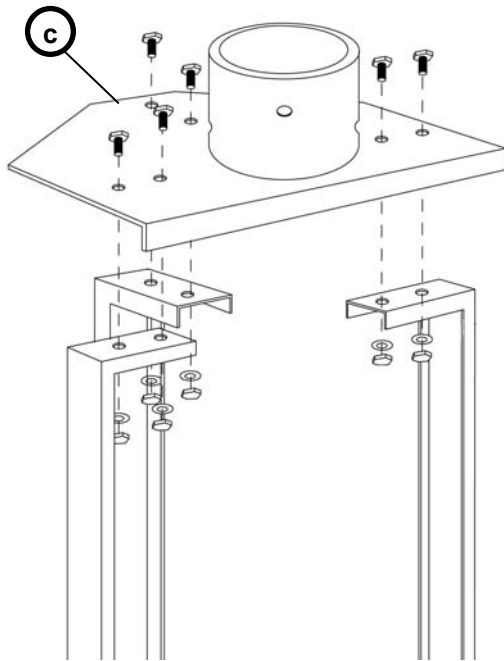
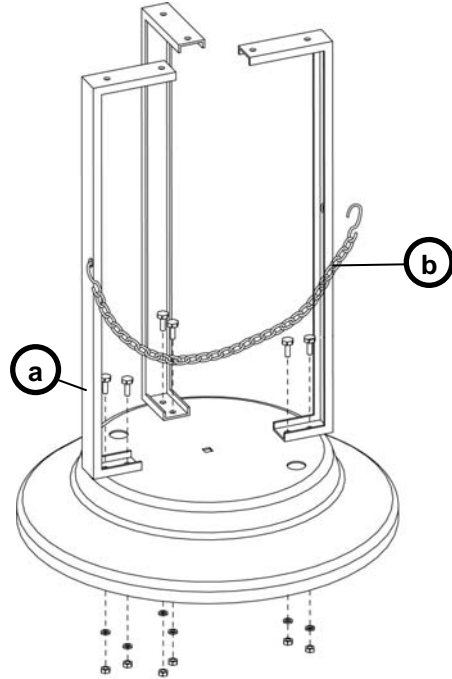
Attach the three legs **(a)** to the base with the included ¼-20 bolts, lock-washers, and nuts.

Hang the cylinder retention chain **(b)** to the two legs as shown.

Attach the base platform **(c)** to the legs with the included ¼-20 bolts, lock-washers, and nuts.

Attach the weight plate to the base with the included 3/8-16 bolt, lock washer, and nut **(d)**.

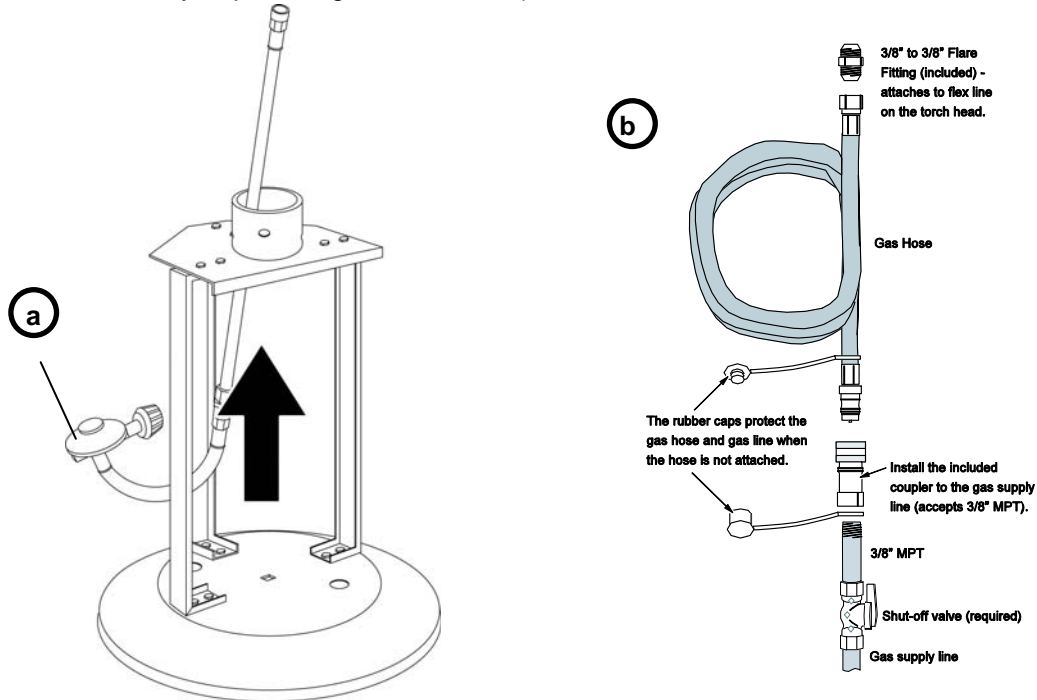
**NOTE:** Two holes **(e)** are provided in the base if you wish to secure the torch to a deck or other surface.



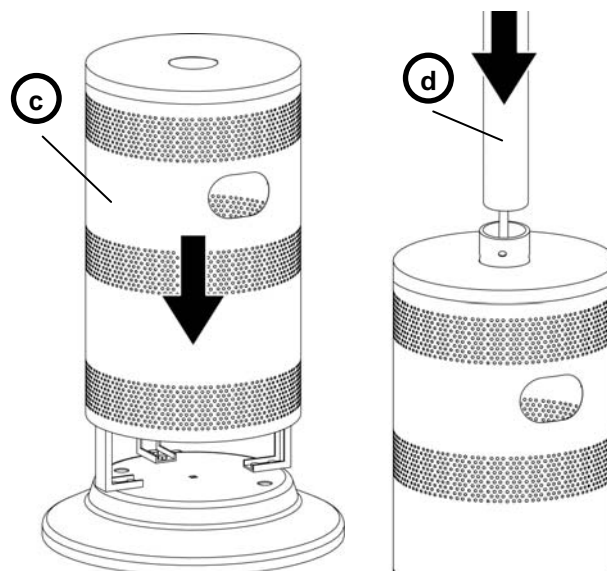
## Post and Base Assembly (continued)

**LP Units** Attach the regulator to the gas line and insert through the base platform (a). Attach the included fitting to the end of the gas line.

**NG Units** Insert the gas hose through the base platform (a). Attach the included 3/8" to 3/8" flare fitting to the end of the gas hose (b). Attach the gas hose coupling to the gas supply line (must be installed by a qualified gas line installer).



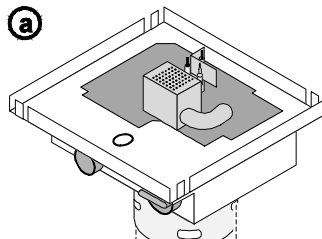
Place the shroud over the base assembly (c). **NOTE:** On the natural gas version the gas supply hose must be inserted through the grommet (and hole) in the shroud and attached to the gas supply. Slide the post into the base platform (d) and secure with the six pre-installed set-screws in the platform (use the included 1/8" hex wrench).



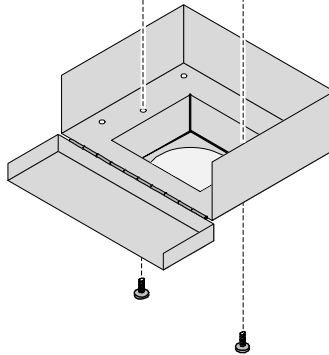
## Post Mount and Control Cover Installation

The post mount and control cover are pre-attached to the torch assembly. Follow the directions below to install.

- (a) Detach the control cover from the torch assembly. Keep the two thumb screws used to attach the cover.



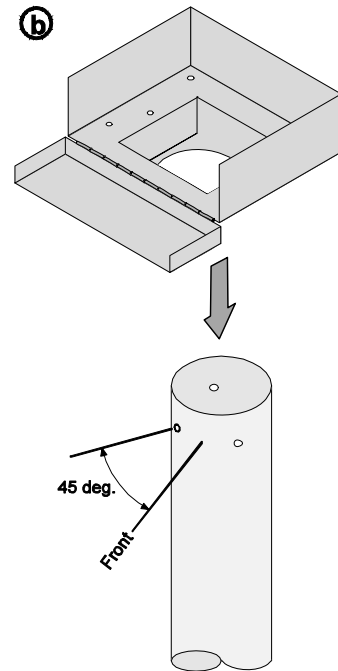
- (b) Slide the control cover over the post.



- (c) Attach the gas line.

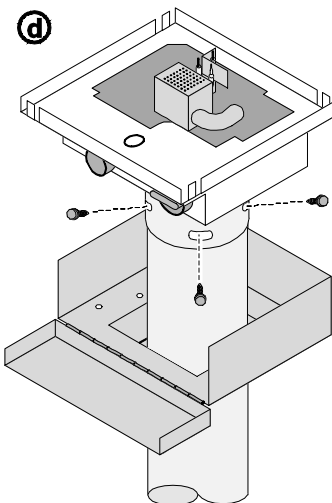
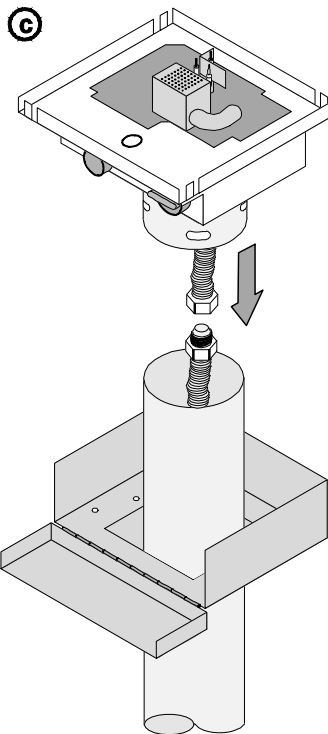
**WARNING:** Take care when handling the torch assembly to not damage the gas line.

**NOTE:** You may wish to hook up the gas line and leak test the gas connections at this time



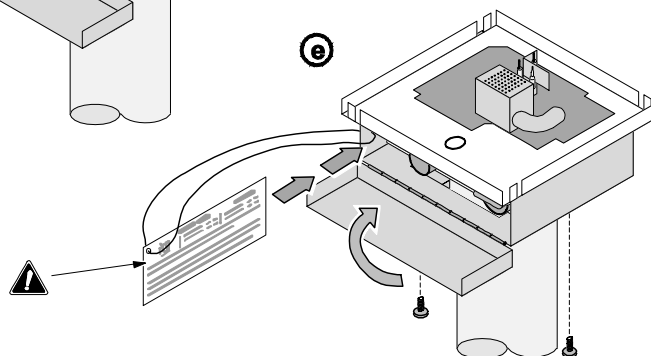
- (d) Attach the torch to the post using the included 1/4-20 screws.

**NOTE:** One of the mounting holes on the post and the mounting bracket is higher than the rest - make sure the bracket is correctly positioned when installing.



- (e) Attach the control cover to the torch with the two thumb screws.

**! The safety label slides into place between the control cover and the torch body.**



## Torch Assembly

- (a) Place the burner top over the main assembly. Make sure the burner top is fully seated.

! Make sure the wet weather lighter openings line up.

- (b) The support bars are shipped with two screws pre-installed. Remove the screws from the support bars and attach the four bars to the main assembly. Make sure the bars are properly aligned (square to the edge of the main assembly).

- (c) Attach the top plate.

**NOTE:** If using the optional rain cap, you may wish to install it now before the glass is installed (see page 13).

- (d) Slide one piece of glass into place until it contacts the support bar.

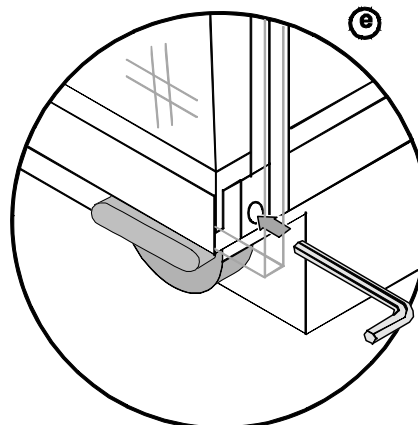
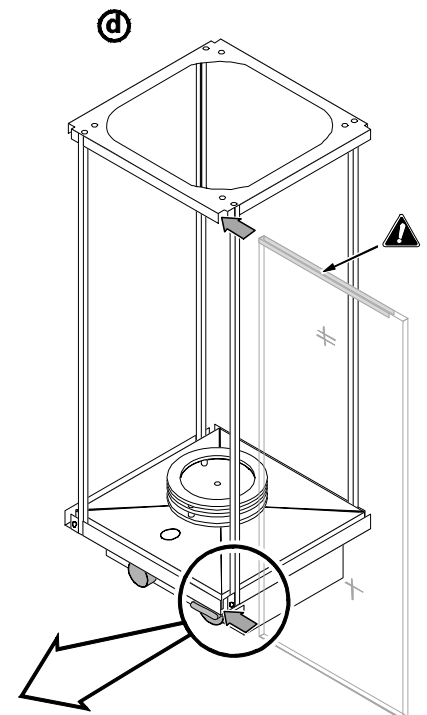
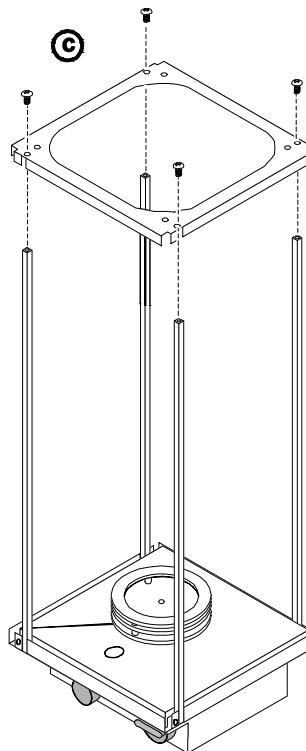
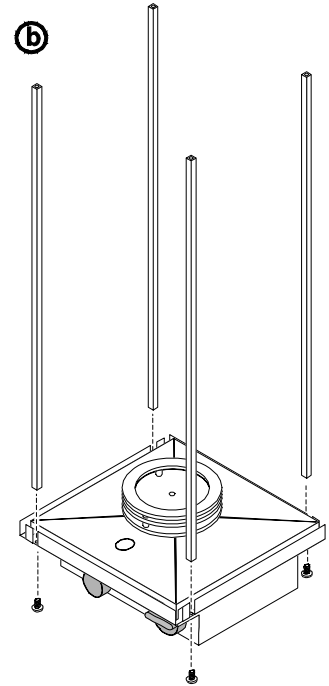
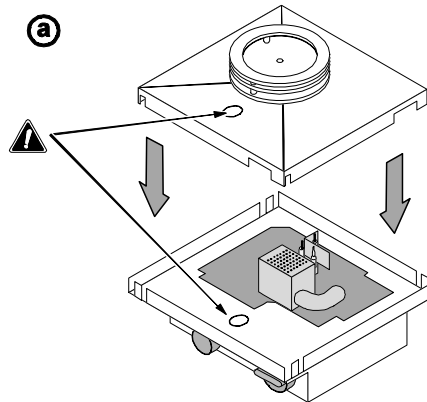
! Make sure the teflon tape is at the top of the glass with the wrap-around edge facing inwards.

**HINT:** Make sure the glass is clean before installing and handle with soft gloves or other non-marking material (e.g. paper towel).

- (e) Use a 5/32" hex wrench to tighten the glass support bolt.

! Tighten the bolt only enough to hold the glass in place – **overtightening may break the glass.**

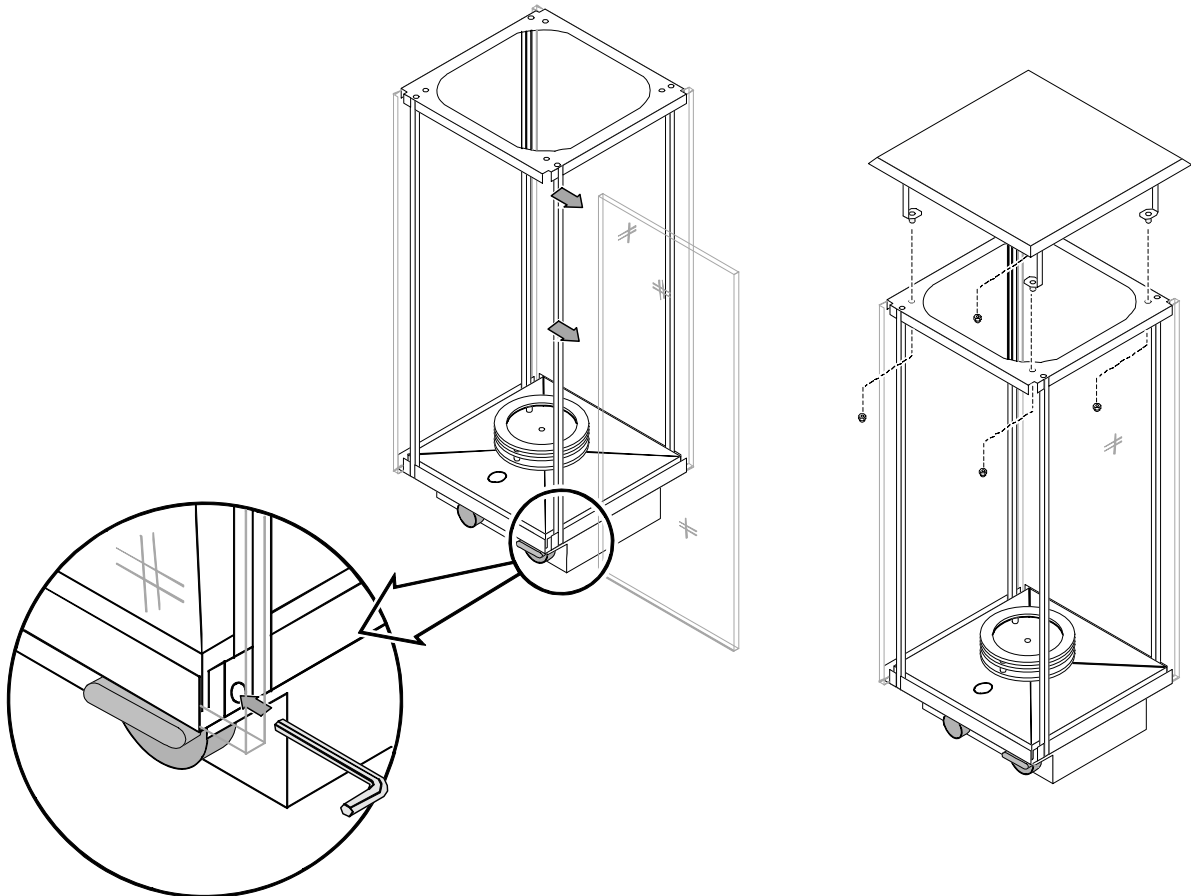
Repeat steps "d" and "e" for the other three pieces of glass.



## ***Optional Rain Cap***

The optional rain cap may be installed to suit the installation location. If the torch is located in an area where rain or plant debris is prevalent, you may wish to permanently mount the rain cap to the torch with the included nuts.

Place the rain cap on top of the torch so the four studs insert through the top plate. With one or two pieces of glass removed, secure the rain cap using the included nuts (shipped pre-attached to the rain cap).



## Placement Requirements

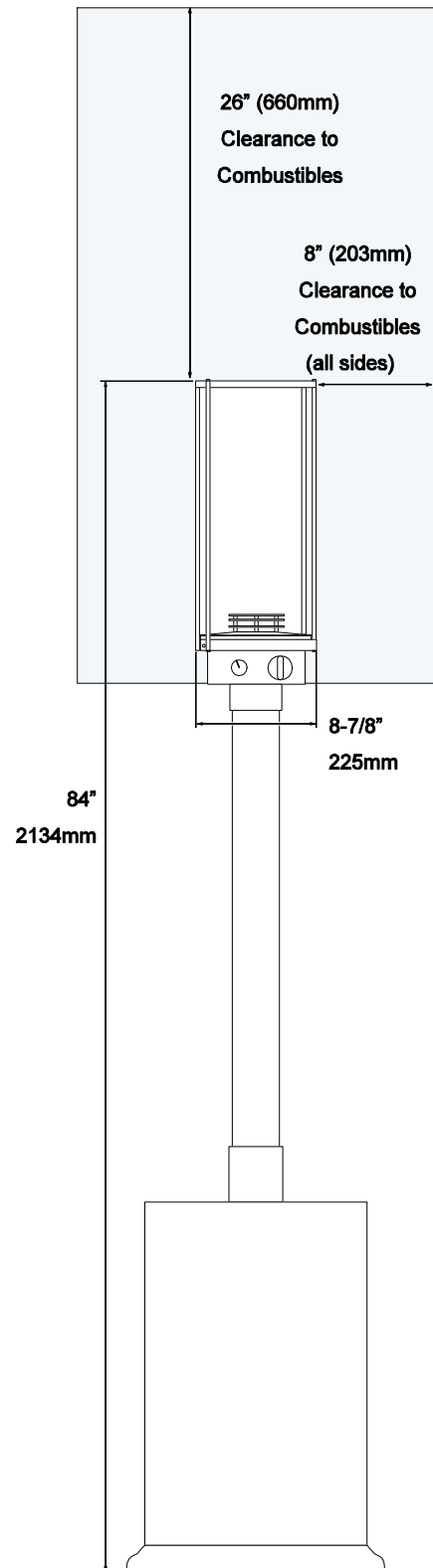
! For Outdoor Use Only. Install in well-ventilated areas.

### Do Not Locate the Torch:

- In high traffic areas.
- Under or near trees, plants and buildings where debris may constantly fall into the torch. Excessive debris will require high maintenance and/or cause malfunctioning of the torch.
- In places where people, children, and pets may contact the torch. Guards or fences around the torch in these locations are recommended.
- In places where the controls beneath the torch may be submerged under water. Submerging of any part of the controls or regulator will require complete replacement of the controls.

### Clearances:

Keep combustibles away from the shaded heat zone of the torch (see the illustration to the right).



## **LP and NG Configuration**

This torch is shipped either for natural gas or propane. **The torch is not convertible from one fuel to the other.** Check the sticker on the control panel to make sure the correct fuel is used. The torch has unique orifices and burners for each fuel. See the table below for details.

	NG	LP
Input Rating (Btuh)	20,000	20,000
Orifice Size (DMS)	#50	#55
Burner Ports	25 Holes	49 Holes
Manifold Pressure	7" wc	11" wc
Max. Inlet Pressure	7" wc	11" wc

**LP (Propane) Torches:** may only be connected to a portable 20 lb. (9 Kg) LP cylinder.

**NG (Natural Gas) Torches:** may be connected to an NG line with a flexible gas line.

### **Fuel Requirements – Natural Gas**

- ! The gas line must be installed in accordance with all local codes or, in the absence of local codes, with the National Fuel Gas Code, ANSI Z223.1. Consult your local gas supplier or propane gas dealer for code regulations and recommended procedures.
- ! The torch and gas control valve must be disconnected from the gas supply piping during any pressure testing of that system at test pressures in excess of 1/2 psig. For pressures less than 1/2 psig, isolate the gas supply piping by closing the manual shut-off valve.
- ! Leak test all gas line joints and the gas control valve prior to and after starting the torch.
- ! If using a flexible gas line, position the gas line away from any traffic or locations where it may be damaged. Inspect gas line before each use. If it is visibly worn or cut replace it immediately

### **Fuel Requirements – LP (Propane)**

- ! The gas pressure regulator provided with the kit must be used. The regulator is set for an outlet pressure of 11" wc. It must be installed in accordance with all local codes.

### ***Before You Begin***

- ! Read this entire manual before you use your new torch, especially the section "Safety Precautions" on page 4. Failure to follow the instructions may result in property damage, bodily injury, or even death.
- ! Remove any cover from the torch prior to operation (the optional stainless-steel rain cap may be left in place).
- ! Inspect the torch to make sure it is free of debris or objects that may have fallen into the torch prior to operation.
- ! Inspect the torch, burner, and supply lines for any damage prior to operation.
- ! It may be difficult to see the burner operating in direct sunlight.

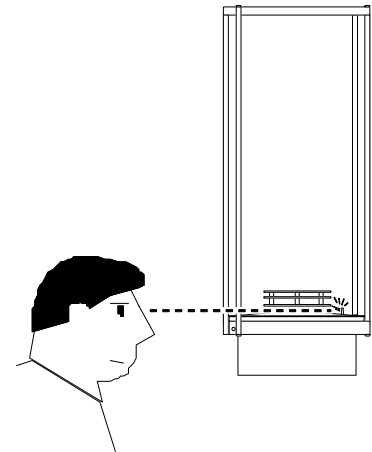
### ***Operating Instructions***

**WARNING:** Do not continue to push the valve control in if the torch does not light. By pushing the valve control in, you are allowing gas to flow to the torch, creating an explosion hazard. If the torch does not light, push the valve control in and rotate the valve to the OFF position.

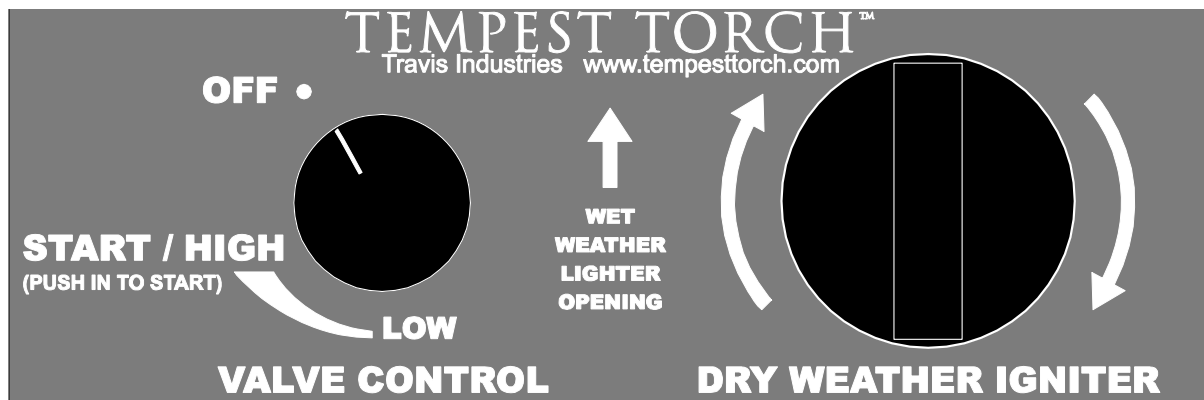
#### ***Lighting the Torch – DRY WEATHER***

1. Push valve control in and turn counter-clockwise to START/HIGH position, then release.
2. Turn the DRY WEATHER IGNITER clockwise to create spark (continue turning while performing step #3).

**WARNING:** Make sure the igniter is sparking before continuing to step 3. The spark is best viewed by adjusting your viewing angle so eye level is level with the burner top (see the illustration to the right). The spark typically jumps from the spark electrode to the burner ring.

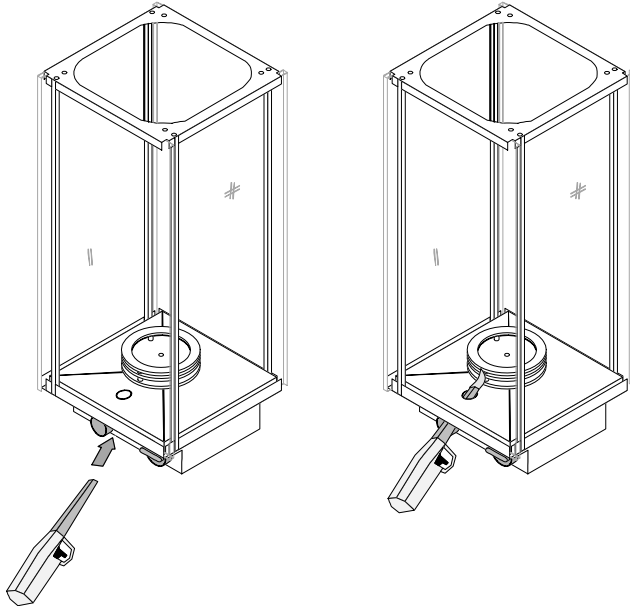


3. Push and hold valve control in. Torch must light within 5 seconds. After torch lights continue to hold valve control in for 15 seconds. Note – if torch does not light use a wand lighter in the wet weather lighter opening and perform step #3 to light.



## **Lighting the Torch – WET WEATHER**

1. Push valve control in and turn counter-clockwise to START/HIGH position, then release.
2. Insert a wand lighter through the WET WEATHER LIGHTER OPENING.
3. With the wand lighter lit, push and hold valve control in. Torch must light within 5 seconds. Remove the wand lighter. After torch lights continue to hold valve control in for 15 seconds. Note – if torch does not light with a wand lighter directly next to the burner with the valve control pressed in in the START/HIGH position, gas is not reaching the torch.



## **Turning the Torch Off**

Push valve control in and turn clockwise to the OFF position. Note – if excessive wind or rain extinguishes the flame the safety control automatically turns gas off.

## **LP (Propane) Portable Cylinder Requirements**

LP (Propane) cylinders should always be handled, stored, and transported with extreme caution in a secured upright position. Use only 20 lb. (9 Kg) portable propane cylinders with external valve threads and a protective valve cover. The propane gas cylinder must be constructed and marked in accordance with the specifications for LP-gas cylinders of the U.S. Department of Transportation. Never attempt to use or repair a propane gas cylinder that has been damaged. Never attempt to use or repair a cylinder with a faulty or damaged valve outlet. A cylinder that has been dropped, dented, or otherwise damaged must be replaced. A propane gas cylinder should never be transported in the passenger area of a vehicle. Keep cylinders out of direct sunlight and never apply any other source of direct heat to them. If torch is stored indoors, detach and leave cylinder outdoors (if applicable). The gas supply must be turned off at the LP-gas supply cylinder when this appliance is not in use (if applicable).

When refilling your cylinder, always insist on a reputable, qualified gas dealer. Your propane gas cylinder is filled by weight. The cylinder must be provided with a listed overfilling prevention device. The propane gas cylinder should never exceed eighty (80%) percent of its weight limit and any spare cylinders must not be stored under or near this appliance or a fire causing death or serious injury may occur. If the cylinder is not completely empty, the gas dealer must make necessary adjustments to ensure it is not overfilled. Never use an overfilled Propane gas cylinder.

Propane gas cylinders must be stored outdoors in a well-ventilated area away from the reach of children. Disconnected cylinders must have a threaded valve plug tightly installed and must not be stored in any building, garage, or other enclosed area. Flammable materials must not be stored in the cylinder enclosure. Always store Propane cylinders in a secured upright position, out of the reach of children.

**LP (Propane) Portable Cylinder Installation**

**NOTE:** Use only 20 lb. (9 Kg) portable propane cylinders with external valve threads and a protective valve cover.

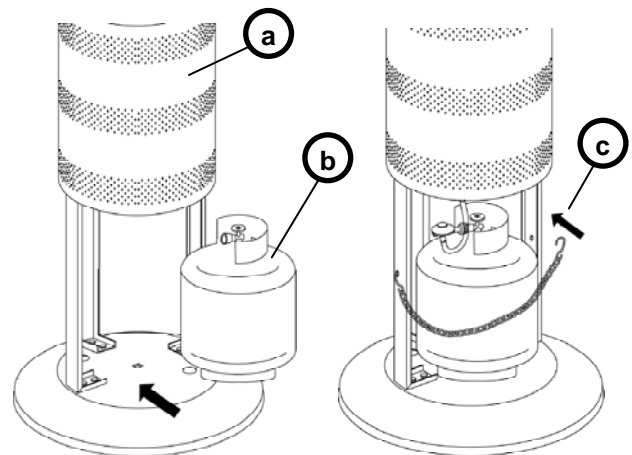


Lift the shroud up and rest it on the base platform (a).

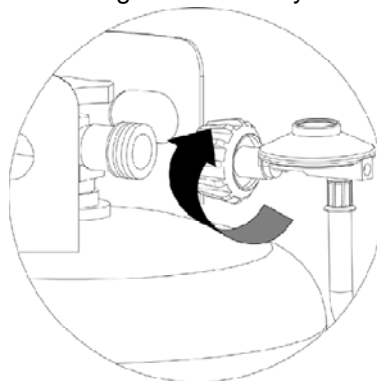
Unhook the cylinder retention chain.

Place the cylinder into the base (b).

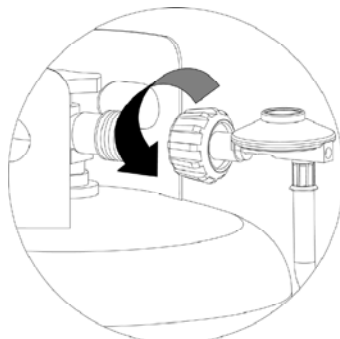
Attach the cylinder retention chain (c).



Check the LP regulator and cylinder fittings. Make sure no debris is on the fittings and there is no damage to the connectors. Connect the LP regulator to the cylinder.



To disconnect the cylinder, unscrew the regulator and follow the directions above in reverse order.



## ***Maintaining Your Torch***

---

! **Failure to inspect and maintain may lead to malfunctioning of the appliance and potentially dangerous situations.**

- Inspect Torch prior to each use.
- Keep torch clean, remove any debris that collects in or on Torch. Inspect for spiders and insects, they may clog burner ports or air inlets and need to be removed before using.
- Have the appliance inspected by a qualified service technician annually.
- The stainless steel burner top will discolor – this is normal.

Your Tempest torch is designed to be cleaned and maintained easily. The most common maintenance that your torch will require is glass cleaning. This is done by loosening the glass retaining screws. Each piece of glass will have its own retainer. Hold the glass by the exposed edge and slide horizontally out of its tracks, the glass should slide easily if its retainer screw is loose.

Clean with glass cleaner or warm soapy water. The glass on your Tempest is tempered and designed for safety. If it breaks it will shatter into small square pieces similar to a car windshield. It is special glass and if you break one or need to replace a piece use only 3/16" thick tempered glass supplied by your Tempest Torch dealer.

To inspect for or clean debris out of the inside of your torch remove one piece of glass. This will provide access to the inside of your torch. Once your glass piece is out remove the pyramid shaped piece with the rings on the top by lifting it straight up, once you are clear of the burner elements turn it sideways and remove through the glass opening. This will provide you a clear view of all the torch components, visually check for and remove all foreign objects, vegetation, bugs, debris. When reassembling make sure you orient the Pyramid plate correctly, the burner elements that stick up through this plate are delicate. Once oriented, slide the plate straight down onto the burner assembly making sure the edges are seated all the way down.

## ***Winterizing The Torch.***

---

These procedures only apply to areas where the torch will not be used during winter or for a long period of time.

1. **For NG:** Shut off the gas supply to the torch and disconnect the gas line.  
**For LP:** Turn off the gas supply at the portable cylinder. Disconnect the cylinder from the torch. Remove the cylinder and store in a safe location (outdoors, away from children, ignition sources or temperatures above 125 F.).
2. Make sure the glass is secure before moving the torch to a safe interior location.

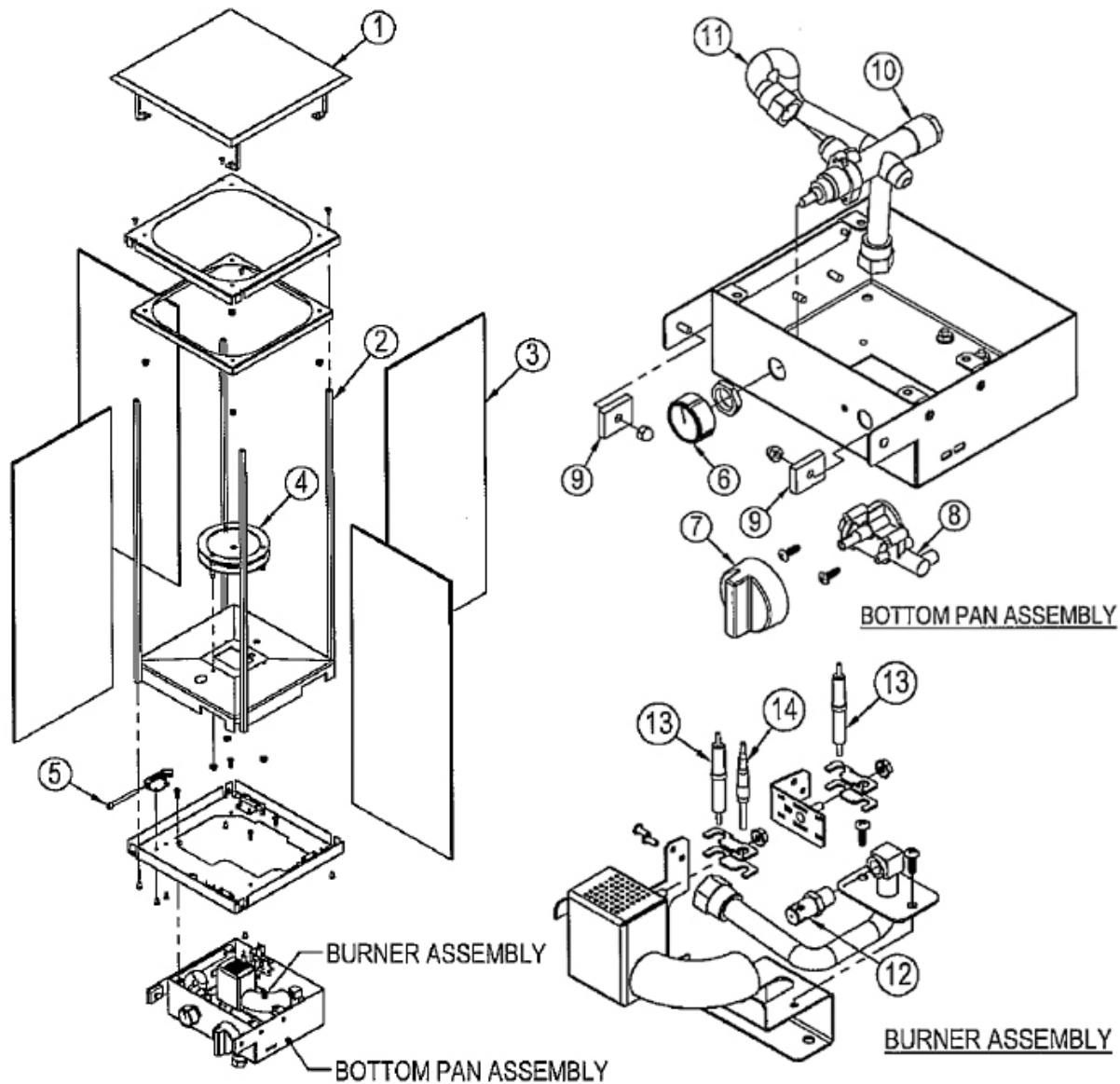
## ***Checking for Leaks***

---

**WARNING: Failure to inspect the gas connections could cause a fire or explosion leading to property damage, injury, or death.**

Make 2-3 oz. of leak solution by mixing one part liquid dishwashing soap with three parts water. Make sure control knobs are "OFF". Turn LP gas tank "ON" at valve (for NG units, make sure gas line is turned "ON"). Spoon leak check solution on gas line connections. If any bubbles appear turn LP gas tank "OFF", reconnect the gas connection and re-test. If you continue to see bubbles after several attempts, disconnect gas source and contact your dealer for assistance. If no bubbles appear after one minute turn tank "OFF", wipe away solution and proceed.

### Replacement Parts



1	250-01256	RAIN CAP ASSY, TEMPEST
2	250-01257	VERTICLE ROD w/SCRWS, TEMPEST
3	250-01251	GLASS - TEMPEST
4	250-01250	FLAME SPREADER ASSY - NG
4	250-01261	FLAME SPREADER ASSY - LP
5	250-01269	SCW, SHCS, 10-24 x 2" STAINLES (4)
6	250-01252	KNOB, TEMPEST VALVE
7	250-01255	PIEZO KNOB, BLACK
8	250-01254	PIEZO IGNITER, w/ MNTG SCRWS
9	250-01268	MAGNET w/OUT SHEATH (w nut)
10	250-01253	VALVE, TEMPEST w/NUT
11	250-00666	FLEX PIPE, 3/8"od x8" BLK,
12	250-00409	ORIFICE, BURNER - No. 55
12	250-00753	ORIFICE, BURNER - No. 50
13	93006523	PILOT ELECTRODE, S.I.T. PILOT#
14	93006518	THERMO-COUPLE - S.I.T. #

Replacement parts can be obtained from your Tempest torch retailer (see [www.tempesttorch.com](http://www.tempesttorch.com)).

## Troubleshooting Table

<b>Problem:</b>	<b>Possible Cause:</b>	<b>Don't Call for Service Until You:</b>
<b>Torch Does Not Light</b>	Check shut-off valve.	Verify shutoff valve is turned ON.
	Gas is Off	Turn Gas On
<b>Igniter Does Not Spark</b>	Igniter is wet	Use the wet-weather starting instructions.
<b>Flames are too short (under 6")</b>	The gas supply pressure to the appliance is too low.	Depleted LP cylinder. Gas supply lines or gas regulators do not have enough capacity. This maybe due to other appliances in the house using up the available capacity, e.g. pool torchs, furnaces, hot water tanks, etc.
<b>Flames are not Spiral</b>	Torch was just turned on	It takes 5 to 10 minutes for the torch to start up and the flame to form a spiral.
	Windy Condition	Wind will influence the flame shape
<b>Glass is Sooting</b>	Burner or burner orifice may be dirty or blocked	Contact your dealer for details on removing any debris (spider webs, etc.) from the burner and orifice area.
	Windy Condition	Wind will influence the flame quality and, if persistent, may lead to sooting on the glass.
<b>Torch makes Clicking Sounds</b>	Glass is moving inside the glass frame and the stainless steel parts are expanding and contracting with heat	THIS IS NORMAL
<b>Regulator Makes Noise (LP ONLY)</b>	Vent hole on back of the LP regulator is blocked. <b>NOTE:</b> The regulator makes a slight whisper sound while in use – this is normal.	Clear any obstructions from the vent hole.

To register your TRAVIS INDUSTRIES, INC. 1 Year Limited Warranty, complete the enclosed Warranty card and mail it within **ten (10)** days of the appliance purchase date to: TRAVIS INDUSTRIES, INC., 4800 Harbour Pointe Blvd. SW, Mukilteo, WA 98275. TRAVIS INDUSTRIES, INC. warrants this gas appliance (appliance is defined as the equipment manufactured by Travis Industries, Inc.) to be defect-free in material and workmanship to the original purchaser from the date of purchase as follows:

Check with your dealer in advance for any costs to you when arranging a warranty call. Mileage or service charges are not covered by this warranty. This charge can vary from store to store.

## Year 1 COVERAGE: PARTS & LABOR

### **Burner Assembly:**

Burner, Venturi, Flame Spreader, Orifice, Gas Control Assembly: Gas valve, cover plate and hardware, thermocouple, pilot hood, pilot gas line, piezo igniter, tip switch and wiring, LP regulator (if applicable)

### **Glass:**

Glass (breakage from thermal shock only)

### **Accessories:**

Portable base (including post and tank cover), wall mount bracket, in-ground post, and pier post

### **One-Way Freight Allowance:**

One-way freight allowance on pre-authorized repair done at factory is covered.

### **Exclusions: Paint and Finish**

## CONDITIONS & EXCLUSIONS

1. This new gas appliance must be installed by a qualified gas appliance technician. It must be installed, operated, and maintained at all times in accordance with the instructions in the Owner's Manual. Any alteration, willful abuse, accident, neglect, alteration, misapplication or misuse of the product shall nullify this warranty.
2. This warranty is nontransferable, and is made to the ORIGINAL purchaser, provided that the purchase was made through an authorized TRAVIS dealer.
3. Discoloration and some minor expansion, contraction, or movement of certain parts and resulting noise, is normal and not a defect and, therefore, not covered under warranty. The installer must ensure the appliance is burning as per the rating tag at the time of installation. Over-firing (operation above the listed BTU rate) of this appliance can cause serious damage and will nullify this warranty.
4. This warranty does not cover damage to the finish, such as scratches, dents, discoloration, rust or other weather damage, after purchase.
5. Travis Industries will not be responsible for inadequate performance caused by environmental conditions such as nearby trees, buildings, roof tops, wind, hills or mountains or other influences from mechanical systems such as fans, etc.
6. This Warranty is void if:
  - a. The unit has been operated in atmospheres contaminated by chlorine, fluorine or other damaging chemicals.
  - b. The unit is subject to submersion in water.
7. Exclusions to this 1 Year Warranty include: injury, loss of use, damage, failure to function due to accident, negligence, misuse, improper installation, alteration or adjustment of the manufacturer's settings of components, lack of proper and regular maintenance, damage incurred while the appliance is in transit, alteration, or act of God.
8. This 1 Year warranty excludes damage caused by normal wear and tear, such as discoloration. Also excluded is damage to the unit caused by abuse, improper installation, modification of the unit, drilling of the orifices, or the use of fuel other than that for which the unit is configured. Units are shipped for either natural gas or propane. Confirm fuel configuration with your installer.
9. Damage to stainless steel surfaces caused by fingerprints, scratches, melted items, or other external sources left on the stainless steel from the use of cleaners is not covered in this warranty.
10. TRAVIS INDUSTRIES, INC. is free of liability for any damages caused by the appliance, as well as inconvenience expenses and materials. Incidental or consequential damages are not covered by this warranty. In some states, the exclusion of incidental or consequential damage may not apply.
11. This warranty does not cover any loss or damage incurred by the use or removal of any component or apparatus to or from the gas appliance without the express written permission of TRAVIS INDUSTRIES, INC. and bearing a TRAVIS INDUSTRIES, INC. label of approval.
12. Any statement or representation of TRAVIS products and their performance contained in TRAVIS advertising, packaging literature, or printed material is not part of this 1 year warranty.
13. This warranty is automatically voided if the appliance's serial number has been removed or altered in any way.
14. No dealer, distributor, or similar person has the authority to represent or warrant TRAVIS products beyond the terms contained within this warranty. TRAVIS INDUSTRIES, INC. assumes no liability for such warranties or representations.
15. Travis Industries will not cover the cost of the removal or re-installation.
16. If for any reason any section of this warranty is declared invalid, the balance of the warranty remains in effect and all other clauses shall remain in effect.
17. THIS 1 YEAR WARRANTY IS THE ONLY WARRANTY SUPPLIED BY TRAVIS INDUSTRIES, INC., THE MANUFACTURER OF THE APPLIANCE. ALL OTHER WARRANTIES, WHETHER EXPRESS OR IMPLIED, ARE HEREBY EXPRESSLY DISCLAIMED AND PURCHASER'S RECOURSE IS EXPRESSLY LIMITED TO THE WARRANTIES SET FORTH HEREIN.

## IF WARRANTY SERVICE IS NEEDED:

1. If you discover a problem that you believe is covered by this warranty, you MUST REPORT it to your TRAVIS dealer WITHIN 30 DAYS, giving them proof of purchase, the purchase date, and the model name and serial number.
2. Travis Industries has the option of either repairing or replacing the defective component.
3. If your dealer is unable to repair your appliance's defect, he may process a warranty claim through TRAVIS INDUSTRIES, INC., including the name of the dealership where you purchased the appliance, a copy of your receipt showing the date of the appliance's purchase, and the serial number on your appliance. At that time, you may be asked to ship your appliance, freight charges prepaid, to TRAVIS INDUSTRIES, INC. TRAVIS INDUSTRIES, INC., at its option, will repair or replace, free of charge, your TRAVIS appliance if it is found to be defective in material or workmanship within the time frame stated within this 1 year warranty. TRAVIS INDUSTRIES, INC. will return your appliance, freight charges prepaid by TRAVIS INDUSTRIES, INC., to your regional distributor, or dealership.

This page is left blank for additional installation, maintenance, or operational notes.

Before You Begin.....	16
Checking for Leaks.....	19
Clearances:.....	14
Dimensions.....	7
Do Not Locate the Torch:.....	14
Features.....	7
Fuel Requirements – LP (Propane).....	15
Fuel Requirements – Natural Gas.....	15
Important Registration and Service Information.....	2
Installation Options.....	7
Installation Warnings:.....	8
Lighting the Torch – DRY WEATHER.....	16
Lighting the Torch – WET WEATHER.....	17
Listing Details.....	2
LP (Propane) Portable Cylinder Installation.....	18
LP (Propane) Portable Cylinder Requirements.....	17
LP and NG Configuration.....	15
Maintaining Your Torch.....	19
Operating Instructions.....	16
Optional Rain Cap.....	13
Overview.....	2
Packing List.....	8
Placement Requirements.....	14
Post and Base Assembly.....	9
Post Mount and Control Cover Installation.....	11
Replacement Parts.....	20
Safety Precautions.....	4
Specifications.....	7
Torch Assembly.....	12
Troubleshooting Table.....	21
Turning the Torch Off.....	17
Warranty.....	22
Winterizing The Torch.....	19